

**owner's
manual**



SX7

electronic crossover

SXT



If you experience....

Check that:

Electronic crossover does not turn on.

- Remote Turn-On wire has 12V
- 12V wire has 12V
- Ground wire is properly connected

Level of sound is low.

- Wiring is not loose or cables misconnected/disconnected
- RCA cables are not faulty

Background noise is too high.

- Wiring is not loose or cables misconnected/disconnected
- RCA cables are not faulty

precautions

Enjoy your system, but use it wisely and safely!

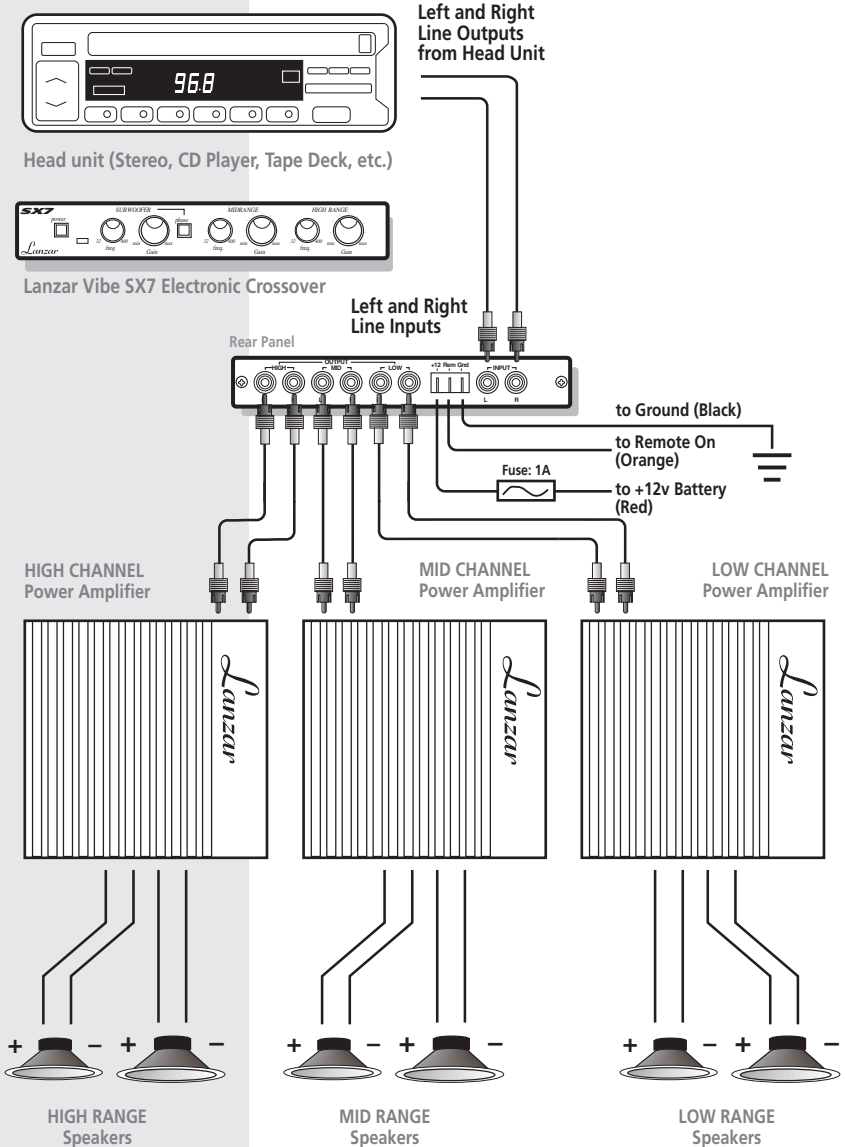
- Never drive with the volume raised so high you cannot hear what is occurring in traffic around you.
- Be aware that repeated exposure to excessive volume levels can permanently damage your hearing!
- Keep all electronics away from moisture, dust, extreme heat or extreme vibrations.
- Lanzar Audio products are capable of sound pressure levels in excess of 150 dB. Continuous exposure to sound pressure levels over 100 dB may cause permanent loss of hearing. Use common sense and PRACTICE SAFE SOUND.

system diagram

SX7

electronic crossover

3-Way system application using the SX7



owner's manual contents

SX7

electronic crossover

Congratulations **2**

Features **2**

Specifications **3**

Controls and Displays **4**

Operation **5**

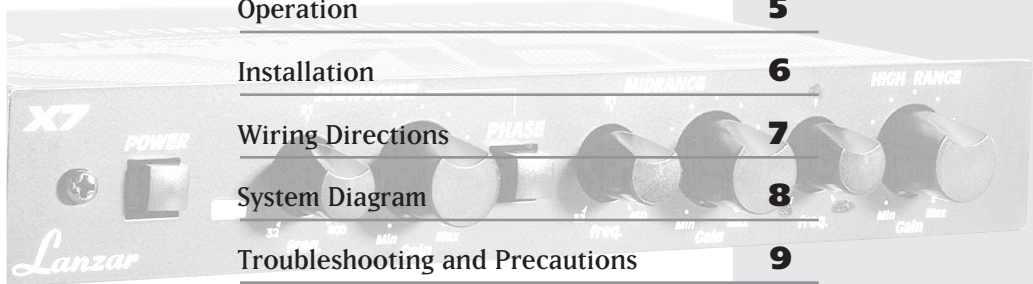
Installation **6**

Wiring Directions **7**

System Diagram **8**

Troubleshooting and Precautions **9**

Limited Warranty **10**



features

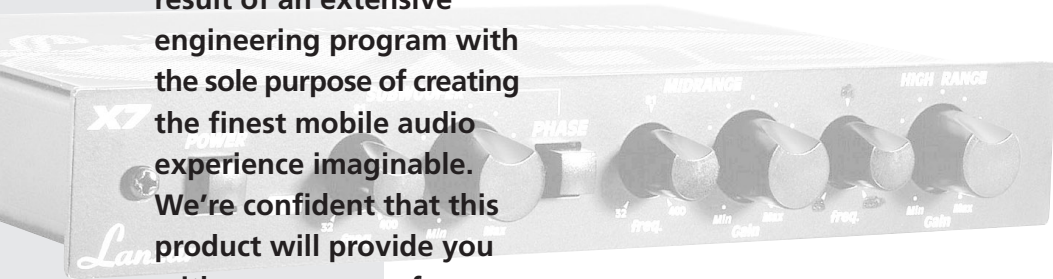
SX7

electronic crossover

Thank you for choosing Lanzar Audio, and congratulations on joining a select group of dedicated enthusiasts committed to the very best in mobile sound performance and dependability.

You are now the proud owner of one of the world's most sophisticated electronics components. This Lanzar product is the result of an extensive engineering program with the sole purpose of creating the finest mobile audio experience imaginable. We're confident that this product will provide you with many years of outstanding musical entertainment.

- 6 Channel Outputs (Sub, Mid, High)
- Infinitely Adjustable Crossover Points
- Sub, Mid and High Gain Controls
- 2 Channel RCA Input Jacks
- Subwoofer Phase Shift Adjustment
- LED Power On Indicator
- 12dB per Octave Slope
- Fully Isolated DC-to-DC Power Supply
- Remote Power On/Off
- Half-DIN Size Cabinet
- Mounts In or Under Dash



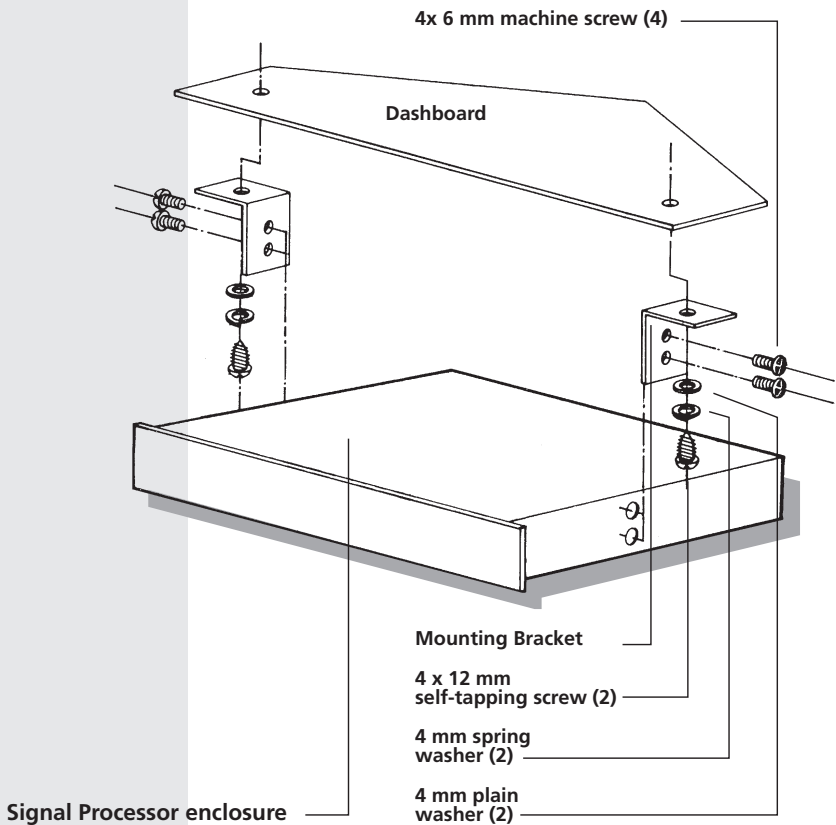
Electronic connections

- 1** Connect 12V DC from a constant battery source to a +12V slip-on spade terminal and install a one (1) amp fuse in line.
- 2** Connect the SX7's GROUND to a good chassis ground, near where the unit is mounted, or to the case of the head unit.
- 3** Connect the SX7's REMOTE TURN-ON lead to the remote turn-on lead of the head unit, and install a 1/2 amp fuse in line. (A relay should be used if turning on more than one component, such as EQ's, crossovers or amplifiers.)
- 4** Connect stereo RCA cables from the head unit's left and right front outputs to the left and right inputs of the SX7.
- 5** Connect stereo RCA cables from the left and right Low, Mid and High outputs of the SX7's to the corresponding left and right inputs of your amplifiers.
- 6** Turn the unit on, and adjust the input gain on the SX7 to match the output of the head unit (1/2, or at center position, is about 1 V). Be careful not to overdrive the input of your amplifier(s) or signal processor(s). Use clip detectors to adjust output.
- 7** Adjust each of the 7 rotary equalizer controls +/- 12 dB to achieve the desired sound characteristics.



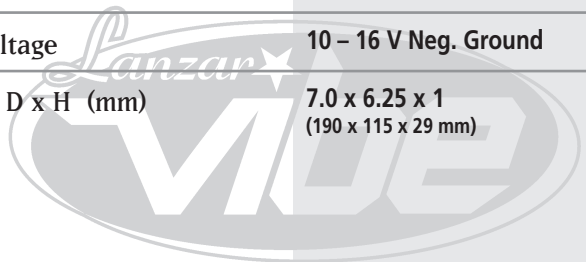
Installing your SX7 under the dash of your car

Please take the time to install your new Lanza Signal Processor securely, according to this diagram, using the hardware provided.



This Half-DIN size unit can also be installed in the dash adjacent to the head unit, provided that there is a slot available.

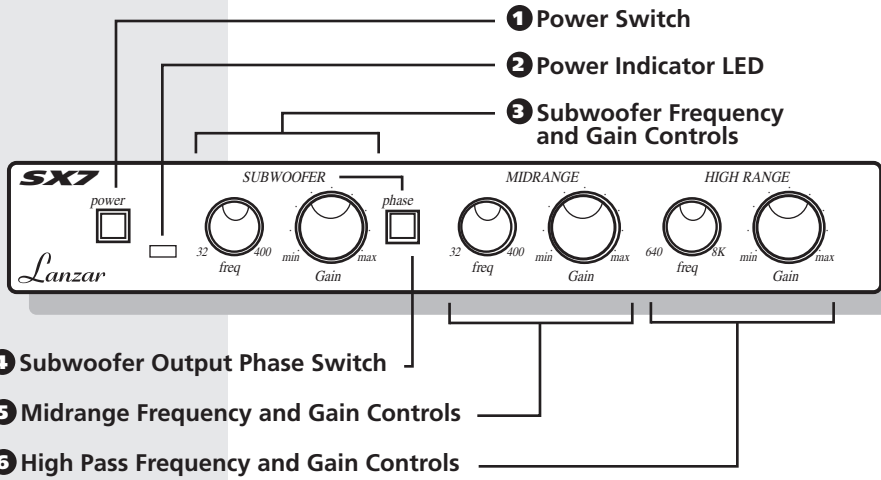
| | |
|---|---------------------------------------|
| Subwoofer Crossover Range | 32 Hz to 400 Hz |
| Midrange Crossover Range | 32 Hz to 400 Hz |
| High Pass Crossover Range | 640 Hz to 8 KHz |
| Frequency Response | 20 Hz – 30 kHz |
| Input Level (for 400 mV Output) | 400 mV |
| Total Harmonic Distortion (THD) (at 400 mV Output) | < 0.01% |
| Output Impedance | 1.2 k-Ohm |
| Signal-to-Noise Ratio (S/N) | 90 dB |
| Separation | 60 dB |
| Current Drain | 250 mA Maximum |
| Power Supply Voltage | 10 – 16 V Neg. Ground |
| Dimensions, W x D x H (mm) | 7.0 x 6.25 x 1 (190 x 115 x 29 mm) |



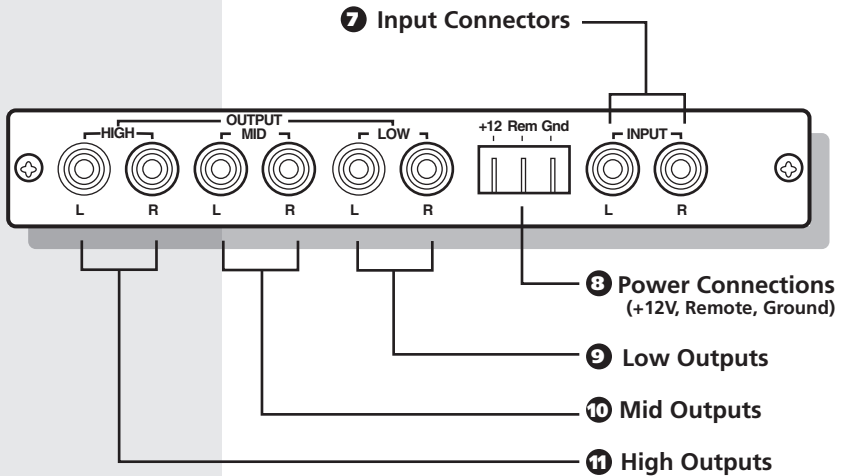
controls SX7

electronic crossover

Front panel



Rear panel



owner's manual operation

SX7

electronic crossover

| Control/Connector | Function |
|---|--|
| 1 Power Switch | Used to turn power on and off to the SX7. |
| 2 Power Indicator LED | This LED is illuminated when the unit is properly powered, grounded and the remote power has been turned on. |
| 3 Subwoofer Frequency and Gain Controls | The frequency control adjusts the range of the signal delivered to the Sub channel. The gain control adjusts the level of that signal. |
| 4 Subwoofer Output Phase Switch | This is used to reverse the phase of the subwoofer channel to the other channels in the system for proper signal alignment. |
| 5 Midrange Frequency and Gain Controls | The frequency control adjusts the range of the signal delivered to the Mids channel. The gain control adjusts the level of that signal. |
| 6 High Pass Frequency and Gain Controls | The frequency control adjusts the range of the signal delivered to the Highs channel. The gain control adjusts the level of that signal. |
| 7 Input Connectors | RCA cables are used to connect the input signal from a head unit or other source. |
| 8 Power Connections (+12V, Remote, Ground) | Connect to power source as follows: +12V: Connect a red wire of at least 12 gauge to the car battery or other power source. GROUND: Connect a black wire of at least 12 gauge to car chassis for ground connection. REMOTE: Connect an orange wire to remote activating (12V DC) wire of car stereo or other head unit. |
| 9 Low Outputs | RCA cables are used to connect the low channel outputs to the subwoofer amplifier inputs. |
| 10 Mid Outputs | RCA cables are used to connect the mid channel outputs to the midrange amplifier inputs. |
| 11 High Outputs | RCA cables are used to connect the high channel outputs to the high range amplifier inputs. |

Lanzar
CAR AUDIO

**Quality
Technology
Performance**

Limited Warranty Policy

All Lanzar Signal Processors are carefully constructed and thoroughly tested before shipment. Units purchased in the USA are warranted to be free of defects in material and workmanship for three (3) years from the date of purchase. This warranty is limited to the original retail purchaser of the Signal Processor.

Should the unit fail due to a factory defect in material or workmanship, your unit will be repaired or replaced at the sole discretion of Lanzar.

To obtain warranty service, you must first call our Consumer Return Hotline number at (718) 236-6948 to obtain a Return Authorization (RA) number. This RA Number must appear on the outside of your package and on all paperwork relating to your return.

When returning the unit to us for warranty service, it must be carefully packed and shipped prepaid to:

R.A. # _____
Lanzar Service Center
1600 63rd Street
Brooklyn, NY 11204

You must also include the following items with your return:

- A copy of your sales receipt or other proof of purchase
- A brief letter indicating the problem you are experiencing with the product
- Include in your letter your return address, daytime phone number and RA Number
- Also include a check or money order for \$15.00 for return shipping, handling and insurance, or provide your VISA/MasterCard number with expiration date.

Our obligation under this warranty is limited to the repair or replacement of the defective unit when it is returned to us prepaid. This warranty will be considered void if the unit was tampered with, improperly serviced, or subject to misuse, neglect or accidental damage.

All implied warranties of merchantability and fitness for a particular purpose are limited in duration to the length of the warranty. Lanzar expressly disclaims any liability for incidental or consequential damages caused by product defects. This warranty does not cover any expense incurred in the removal and/or reinstallation of the Signal Processor. Lanzar's total liability will not exceed the purchase price of the Signal Processor.

Some states do not allow the exclusion or limitation of incidental or consequential damages, or limitations on how long an implied warranty lasts, so the above limitations and exclusions may not apply to you. This warranty gives you specific legal rights, and you may also have other rights which vary from state to state.

Lanzar Audio Inc.
1600 63rd Street, Brooklyn, NY 11204 (718) 236-6948